

RAFIX 16 - Keylock switch, square collar, momentary**1.30.076.701/0000**

Only use universal contact blocks with momentary function.

Other lock variants available on request.

Included: 2 keys on ring.

**General information**

Form of collar	square
----------------	--------

Dimensions

Collar dimensions	24.95 x 24.95 mm
Collar dimensions	24.95 x 24.95 mm
Overall height	27.95 mm
Mounting depth	44.7 mm
Mounting hole	16.2 mm
Key grid	25 x 25 mm

Mechanical design

Mounting	ring nut
Contact function	momentary
Contact arrangement	according to contact block
Illumination	no
Lock	Micromec
Wafers	5
Lock type	001
Number of locking positions	500
Main key	on request
Rotating angle	2 x 40°
Key removal position	0

Mechanical characteristics

Torque max.	1.3 Nm
-------------	--------

Electrical characteristics

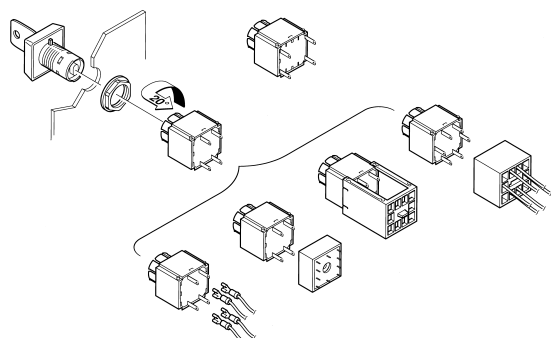
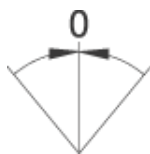
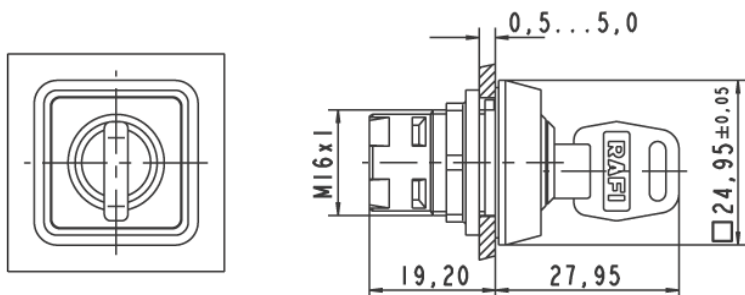
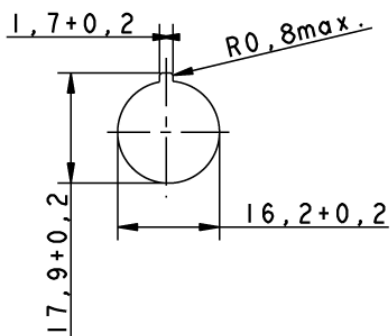
Protection class	II
------------------	----

Other specifications

ESD-strength lock / contact	15 kV
ESD strength key/ front panel	8 kV
Operating life (operations)	65,000 cycle
Degree of protection from front side	IP65 (DIN EN 60529)

Operation temperature min.	-25 °C
Ambient temp. operating max. without lamp / LED	+70 °C
Storage temperature min.	-40 °C
Storage temperature max.	+85 °C
Environmental resistance	acc. to IEC 60068-2-14, -30, -33 and -78
ROHS compliant	yes
REACH compliant	yes

Panel cut-out



Technical data are approximate and intended solely for general orientation in the selection of a product. Subject to modifications and errors. Images and other graphics may only be similar. For more information, refer to www.rafi.de chapter Imprint / Data Protection.